

SENSOR SIZE

SUPER 35mm
27.96mm Diagonal

HIGH SPEED

120fps
Electronic shutter
60fps
Rotary shutter

INTERNAL NDs

3 - 6 stops

RATED ISO

EI 800

RECORD FORMAT

SR HD
12bit 4:4:4, 10bit 4:4:4 / 4:2:2
F65 RAW
16bit linear

LATITUDE

14 stops

LUTS

REC 709
CUSTOM 1D / 3D

GAMMA

S LOG3
S LOG2

DIMENSIONS

LENGTH 268mm
WIDTH 229mm
HEIGHT 305mm

WEIGHT

5 kg
Body Only

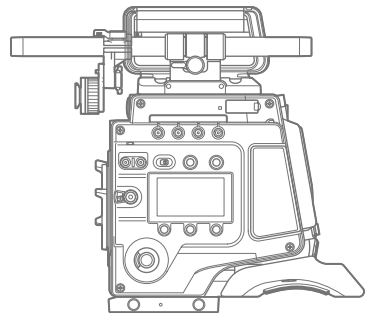
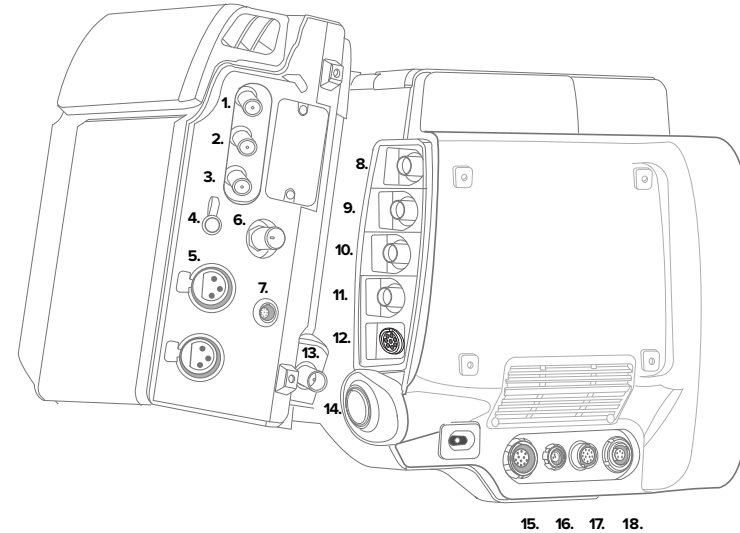
8K, 4K
2K, HD

PL
MOUNT

SR
MEMORY

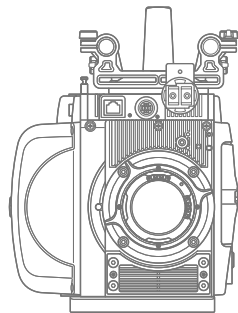
SONY F65

The Sony CineAlta F65 camera contains a powerful 8K sensor- capable of recording 4K, 2K and HD to either external recorders or internal SR memory.



255mm
268mm inc. handle

203mm
305mm inc. handle



228.7mm

INPUTS / OUTPUTS

1. AUX IN

For future expansion

2. TIMECODE OUT

BNC jack, TIMECODE output

3. TIMECODE IN

BNC jack, TIMECODE input

4. HEADPHONE IN

Ø 3.5mm stereo mini-jack

5. XLR IN 1 + 2

XLR 3 pin input, selectable between MIC, LINE & MIC +48V

6. CONTROL KNOB

Headphone volume control

7. CONTROL PANEL OUT

Connector for SRK-CP1 control panel unit

8. GENLOCK IN

BNC jack, GENLOCK setting: input only

9. SHUTTER

For future expansion

10. HD Y OUT

Y-signal analog HD component signal.

11. SDI OUT

1920x1080 1.5 HD-SDI signal

12. REMOTE

8-pin connector for controlling optional RM-B170 (or similar) remote control unit

13. AUX OUT

Fischer 3-pin: 24 V DC, 2.0 A

14. DC IN

LEMO 8-pin, 10.5-17V DC power input

15. 24V OUT

24 V DC, 4.0 A

16. 12V OUT

LEMO 12 V DC, 4.0 A

17. LENS

Supplies power to ENG-style lens's drive unit.

18. EXT IN / OUT

For future expansion

CineAlta

